

OLYMPUS[®]

Your Vision, Our Future

RHINO-LARYNGO FIBERSCOPE

ENF-P4



Larger, Brighter, Crisper Images from the Leader in Diagnostic Laryngoscopy

Longer 300 mm Scope

By lengthening the scope to 300 mm, we have made it easier to insert and use. Observation of the nasal cavity and pharynx is much easier, and you'll be able to work at a more comfortable distance when observing the larynx.

Enhanced Brightness



The ENF-P4's newly developed optical system is extremely efficient at capturing and utilizing light, enabling it to provide images that are much brighter than our previous models while retaining the slim diameter you need for comfortable, easy operation. With its wide 85° field of view and enhanced

brightness, the ENF-P4 scope gives you clear, comprehensive views of the nasal cavity and laryngo-pharynx areas.

Wide 130° Up / Down Angulation

The ENF-P4 can be angled up or down by up to 130°, making it easier to insert, remove and maneuver.

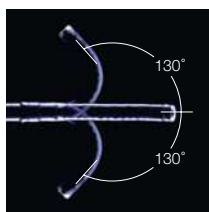
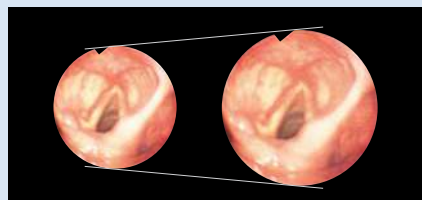


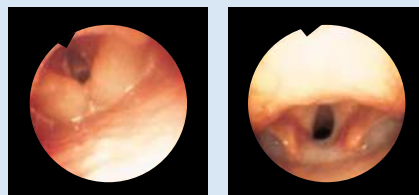
Image Size Now 25% Larger

This scope incorporates the very latest high-grade fiber-optic technology, ensuring that the images you see are as clear and accurate as possible, while also enabling us to add even more fibers, giving you an image that's bigger and brighter than ever — while maintaining the same 3.4 mm diameter of our previous models.



High Resolution Maintained

Improvements in fiber-optic technology have allowed us to increase the number of image guide fibers inside the scope, thereby increasing the amount of image detail. With the same resolution as our conventional model, together with a larger, brighter image, overall improvements in observation capability are remarkable.



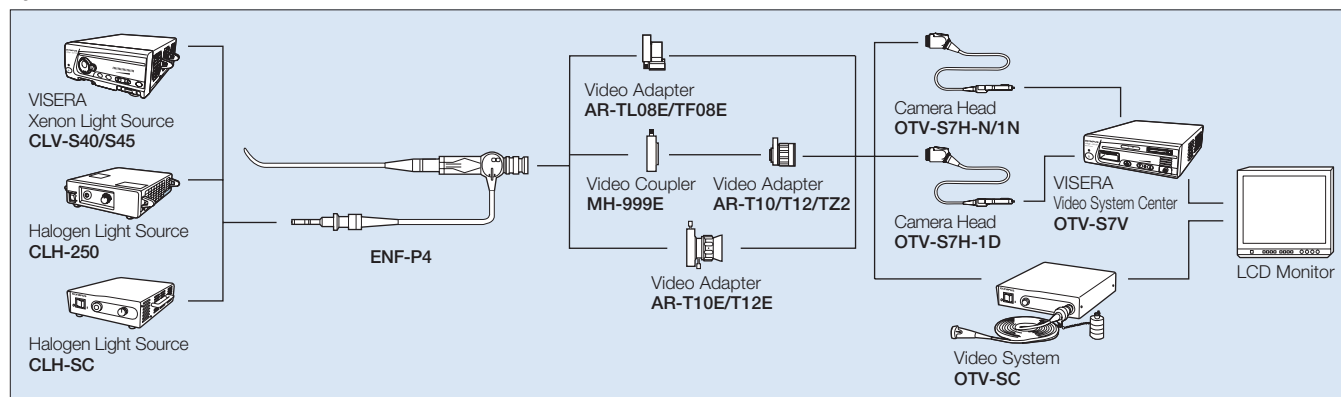
RHINO-LARYNGO FIBERSCOPE ENF TYPE P4

Specifications

Optical system	Field of view	85°
	Depth of field	5 - 50 mm
Distal end	Outer diameter	3.4 mm
Insertion tube	Outer diameter	3.6 mm

Length	Working length	300 mm
Bending section	Range of tip bending	Up 130° / Down 130°
Total length		530 mm

System Chart



Specifications, design and accessories are subject to change without any notice or obligation on the part of the manufacturer.

OLYMPUS[®]

OLYMPUS MEDICAL SYSTEMS CORP.
Shinjuku Monolith, 2-3-1 Nishi-Shinjuku, Shinjuku-ku, Tokyo 163-0914, Japan

For a complete listing of
sales and distribution locations visit:
www.olympus.com